



Cinema Booster Seats

Made in Spain



KORFLIP

English






Cinema Booster Seats

Made in Spain

Korflip. It is the indispensable element that cannot be missing in all movie rooms, theaters, assembly rooms, polyvalent lounges of multiple uses, auditoria, stadiums and orchestras that they could be used by children.

Since it contributes an almost 15 cm extra elevation, allowing to save this way the headrest of the seat that precedes it. Making possible this way that the shortest kids could have an ideal visibility.

Its ergonomic design especially designed and conceived for the infantile use, makes it extremely comfortable, made of injected PVC of high resistance that makes it very resistant and lasting. In addition, it is to extremely easy to clean and to maintain, remaining inalterable many years.

It lacks marked edges, since its rims and protrusions have been smoothed to contribute to a nice touch, with a light rugosity that prevents the sliding of the children. Therefore, besides being comfortable, it is safe, resistant and very easy to clean.

It comes from a serial production, usually in red colour, and fireproof certified, adapting itself this way to the most strict international regulations on preventive safety against fires.



Korflip is the only booster seat of the market on a global scale that fulfills the current regulations on the subject of preventive safety against fires. Under standards UNE (EN) for its use in movies, theaters, auditoria and sports stadiums of the whole world.

Besides, Korflip is 100% designed and made in Spain, and is currently a golden standard in the exportation of infantile equipment for cinemas and theaters all from the 5 continents. Each day our booster seats have a bigger influence on the planet, which places the Spanish industry on the top of the booster seats for manufacturing.

The innovative design of Korflip has been conceived by a prestigious and well-known team of experts in design and comfort. And all its production phases, from the innovative mould of advanced injection, to its production chain subordinated to the highest quality standards and global logistic, is integrally rational. This allows us to be the only ones that can offer **a 10 year warranty**.

Korflip is provided in set with 36 seats piled up on a practical trolley with wheels, which facilitates so much the storage works, as well as the transport. Optimizing the piled up one in only one set, and being able to store up to 50 booster seats in only one trolley.



The manufacturing of the booster seat Korflip is made in machinery of injection of last generation that guarantees that each and every injected pieces fulfil all the quality standards demanded by the different international organizations.

Endorsed and certified by the ENAC under the standards UNE (EN)





Cinema Booster Seats

Made in Spain



NEW

Korflip **colors**

Red: minimum order 1 set

Multicolors: minimum order 1 set

Blue, green, yellow, black: minimum order 2 set

Any color or the pantonne: minimum order 25 set



Red. **in Stock**
Minimum order
1 set



Multicolors. **in Stock**
Minimum order
1 set



Green
Minimum order
4 set



Blue
Minimum order
2 set



Yelow
Minimum order
2 set



Black
Minimum order
2 set



Cinema Booster Seats

Made in Spain



! NEW !

Korflip is the only booster seat for children's with **fireproof certificate.**

Korflip. It is the only booster seat in the world with fireproof certificate.

An innovative and exclusive patent system, which uses resins of last generation that fulfill each and every of the most demanding international regulations of preventive safety against fires.

With the buy of your booster seats Korflip, you also receive their respective official certifications of fireproofing and quality that endorse the fulfillment of the regulations for theaters, movies, auditoria, Olympic stadiums, game rooms and infantile spectacles. Fireproof homologation under the standards (UNE EN 60695)



Besides offering you a **WARRANTY of 10 years**, being the only booster seat of the market that offers 10 years of warranty. Because of it they are mainly distributed to the most important manufacturers of armchairs, which Korflip use in all of its infantile facilities.

Being the only booster seat recommended by the main European manufacturers.

Report Nº S16-01511
Page 4/5

ENAC
ENSAYS
INSTITUTO NACIONAL DE INVESTIGACIONES CIENTÍFICAS

AIDIMME

Report Nº S16-01511 R-1 (Replaces reg nº1364 date 5rd November2021)
Page 2/5

ENAC
ENSAYS
INSTITUTO NACIONAL DE INVESTIGACIONES CIENTÍFICAS

AIDIMME

ANNEX I. RESULT OF THE TEST:

TEST CONDITIONS: AMBIENT CONDITIONS (°C): 23 ± 1

Clause	Test	Requirements	Verdict
RESISTANCE TO HEAT, FALME AND INFLAMATION.			
	Resistance to heat		—
	Ball pressure test		P
	Tested part:	PLASTIC PART	—
	Plastic part of the lifter KORPLIR.		P
	Inflammation and flame resistance		P
	Flame needle test		P
	Tested part:	PLASTIC PART 75 °C	P
	Plastic part of the lifter KORPLIR.		P



Cinema Booster Seats
Made in Spain

Report N° S16-01511
Page 1/5



Firmado digitalmente

Customer:

KORPLIR
LIFTER FOR CINEMAS AND THEATERS

REPORT REGISTRATION

Date: 08/11/21
Exit n°: 1364

REQUESTED SERVICE: PRESSURE BALL AND NEEDLE FLAME TESTS ACORDING TO THE STANDARD EN 60695.

SAMPLE DESCRIPTION:

Date reception: 01/10/2021
Sample: Trade name: KORPLIR
Product: LIFTER FOR CINEMAS AND THEATERS
Reference: MOD KORFLIP

TEST PERFORMED:

Date of test: 11/10/2021
Standard test methods: EN 60695
Equipment of test: Flame needle apparatus, MA030111032.
Pressure ball apparatus, MA030111031.
Stove, INV99046.

Results:

After the accomplishment of the flame needle test and the deformation with pressure ball according to EN 60695, it is considered that the sample provided satisfies the standard.

ANNEX I: Obtained results.

ANNEX II: Photographs.

VEREDICT OF THE SECTIONS (V)

The section is applied to the sample:

The sample fulfills the requirements of the section:

The sample does fulfill the requirements of the section:

The requirements of the section have been evaluated:

Observation on the results of the section (No.):

Note: All the sections and tables referenced in "the requisite" column will correspond to the standard or specification mentioned in the section "Standard test methods" of this document.

AIDIMME. INSTITUTO TECNOLÓGICO METALMECÁNICO, MUEBLE, MADERA, EMBALAJE Y AFINES
Domicilio fiscal: Parque Tecnológico - Benjamín Franklin, 13 46980 PATERNA
Tel.: 96 136 60 70 • Fax: 96 136 61 85
CIF: ESG46261590
Domicilio social: Parque Tecnológico - Leonardo Da Vinci, 38 46980 PATERNA
Tel.: 96 131 85 59 • Fax: 96 091 54 46
aidimme@aidimme.es www.aidimme.es

Validated by:
JUAN JOSÉ GONZÁLEZ
Head of Laboratory of Luminaires.



Cinema Booster Seats

Made in Spain



**The design of the new generation
It has been conceived
even +**

- + ergonomic and comfortable
- + safe in fire cases
- + agreeable to touch
- + anti-skid and better grip
- + resistant to blows
- + lighter, only 700 gm
- + glad and entertaining

Besides, a handle has been added to its backside, which facilitates the grip with only a hand. Therefore, even the little ones will be able



Cinema Booster Seats

Made in Spain

DATA SHEET



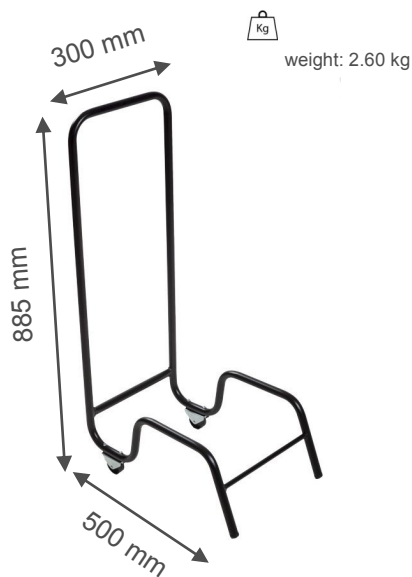
Set:

36 units: booster seats

1 unit: wheeled trolley

1 unit: cardboard box

 Total weight: 29.40 kg



KORFLIP



Cinema Booster Seats

Made in Spain